



PANINI

ENGLISH 

**INSTANT
STEAM**



VAPORAPID-O

FLASH-COIL STEAM GENERATOR

DESCRIPTION

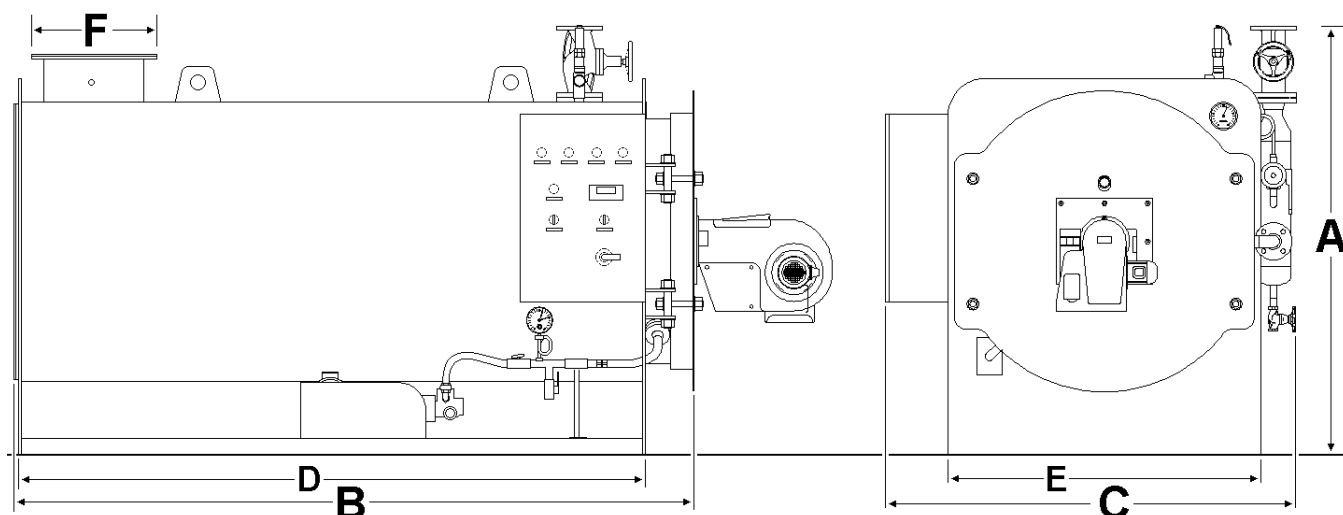
Instant-type flash-coil steam generator with double-wind coil, featuring 3-pass fire path for maximum yield. The coil-type steam generator is normally subject to a less restrictive regulatory regimen than traditional boilers. In Italy, the generator is exempted from the licensed operator requirement, the periodic inspection requirement and installation declaration.

CHARACTERISTICS

- Exempt from licensed operator (Italy only)
- Designed following new European pressure directive (PED)
- Working pressure of 12 Atm (up to 2500) or 10 Atm (model 3000 Kg/h)
- Removable water coil for easy maintenance
- Double safety circuit
- Accessories mounted on a single base
- Vertical layout from 45 to 1000 Kg/h
- Horizontal layout from 300 to 3000 Kg/h

ACCESSORIES

- Steam, drain and flush valves included
- Smoke thermostat to avoid coil overheating
- Electronic steam thermostat to guarantee steam quality
- Steam manostats for safety and working pressure
- Flow meter and 2 steam thermostats to guarantee adequate water circulation
- Feed water manostat on the coil intake to signal any coil blockage or calcium buildup
- 3-piston pump for pulse-free water feed
- Control panel with 11 alarm/status signals



CODE	MODEL	STEAM Kg/h	POWER ¹ Kw	DIMENSIONS mm						WEIGHT Kg
				A	B	C	D	E	F	
02501085	Vaporapid-O 300	300	209	1550	1750	1300	1420	850	200	900
02501086	Vaporapid-O 400	400	279	1550	1750	1300	1420	850	200	900
02501088	Vaporapid-O 500	500	349	1720	1800	1420	1500	1000	200	1200
02501090	Vaporapid-O 600	600	418	1720	1800	1420	1500	1000	200	1200
02501091	Vaporapid-O 800	800	558	1720	2400	1500	2170	1150	300	1750
02501101	Vaporapid-O 1000	1000	698	1720	2400	1500	2170	1150	300	1750
02501111	Vaporapid-O 1250	1250	872	1750	2700	1600	2550	1150	300	2000
02501121	Vaporapid-O 1500	1500	1047	1750	2700	1600	2550	1150	350	2250
02501131	Vaporapid-O 2000	2000	1396	1750	3000	1750	2600	1250	350	2500
02501141	Vaporapid-O 2500	2500	1745	2100	3100	2000	2950	1450	350	2750
02501151	Vaporapid-O 3000	3000	2094	2100	3500	2000	3250	1450	350	3100

1) The declared power is calculated based on a standard feed water temperature of 70°C.

Note: The data indicated in the table are subject to change.